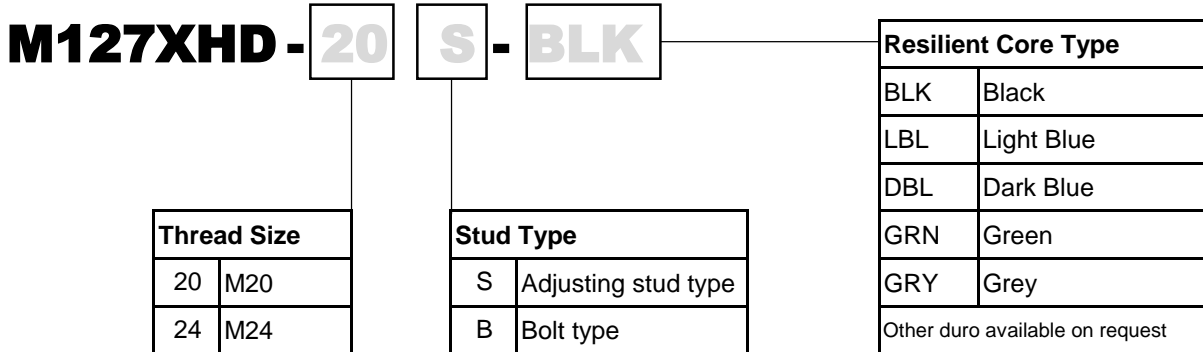
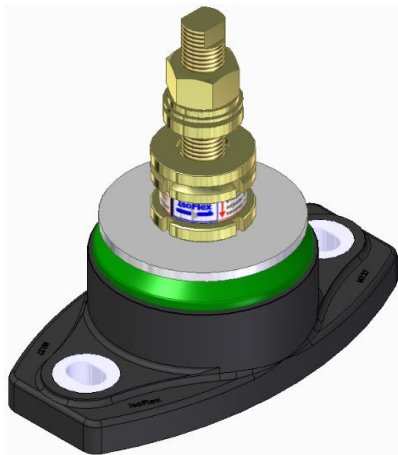


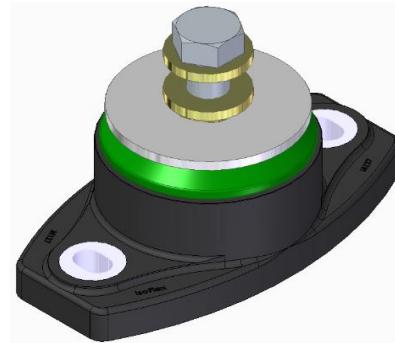
## ISOFLEX MOUNT DATA SHEET - M127XHD



**Base:** Black - 75 SDH-D  
 Metal components a combination of marine alloy, stainless steel and components zinc plated to ASTM B633 Type II SC3



Mount model M127XHD-20S or M127XHD-24S



Mount model M127XHD-20B or M127XHD-24B

### WEIGHT:

Model	Metric (kg)	Imperial (lb)
M127XHD-20S	2.8	6.2
M127XHD-24S	3.2	7.0
M127XHD-20B	2.2	4.8
M127XHD-24B	3.0	6.6

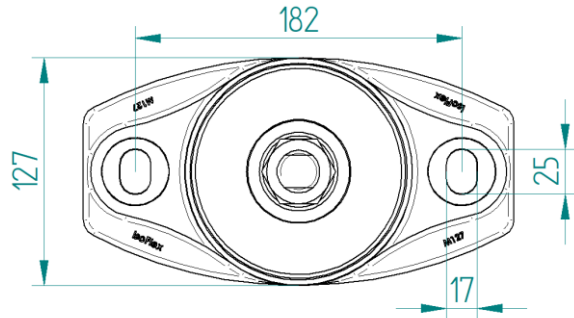
### SPECIFICATION:

	Metric (kg)	Imperial (lb)
Recommended working load per mount	600-1000	1320-2200

# ISOFLEX MOUNT DATA SHEET - M127XHD

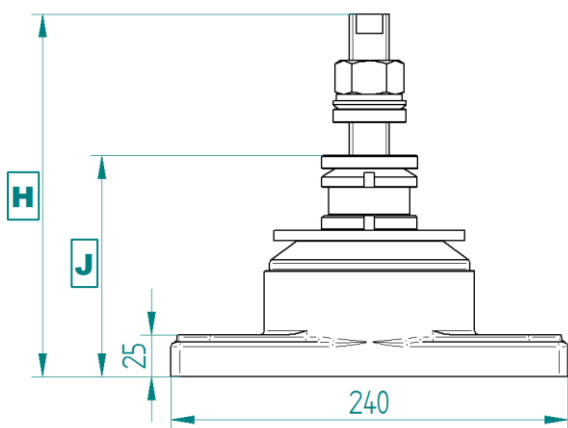
## COMMON DIMENSIONS :

	Metric (mm)	Imperial (in)
Base length	240	9.45
Base width	127	5.00
Base bolt centres	182	7.17
Base thickness	25	0.98
Base bolt size	M16	5/8

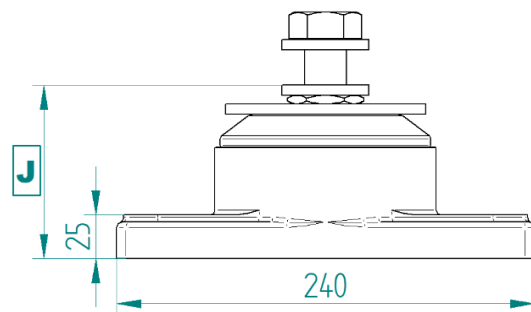


## MODEL SPECIFIC DIMENSIONS :

Model	Overall Height (H)		Min Free Height (J)		Height Adjustment (J)	
	(mm)	(in)	(mm)	(in)	(mm)	(in)
M127XHD-20S	196	7.72	134	5.28	10	0.39
M127XHD-24S	220	8.66	134	5.28	10	0.39
M127XHD-20B	-	-	97	3.82	-	-
M127XHD-24B	-	-	100	3.94	-	-



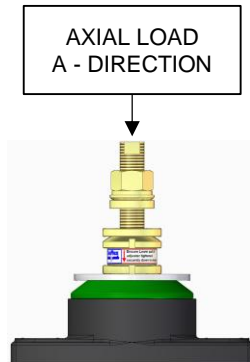
Mount model M127XHD-20S or M127XHD-24S



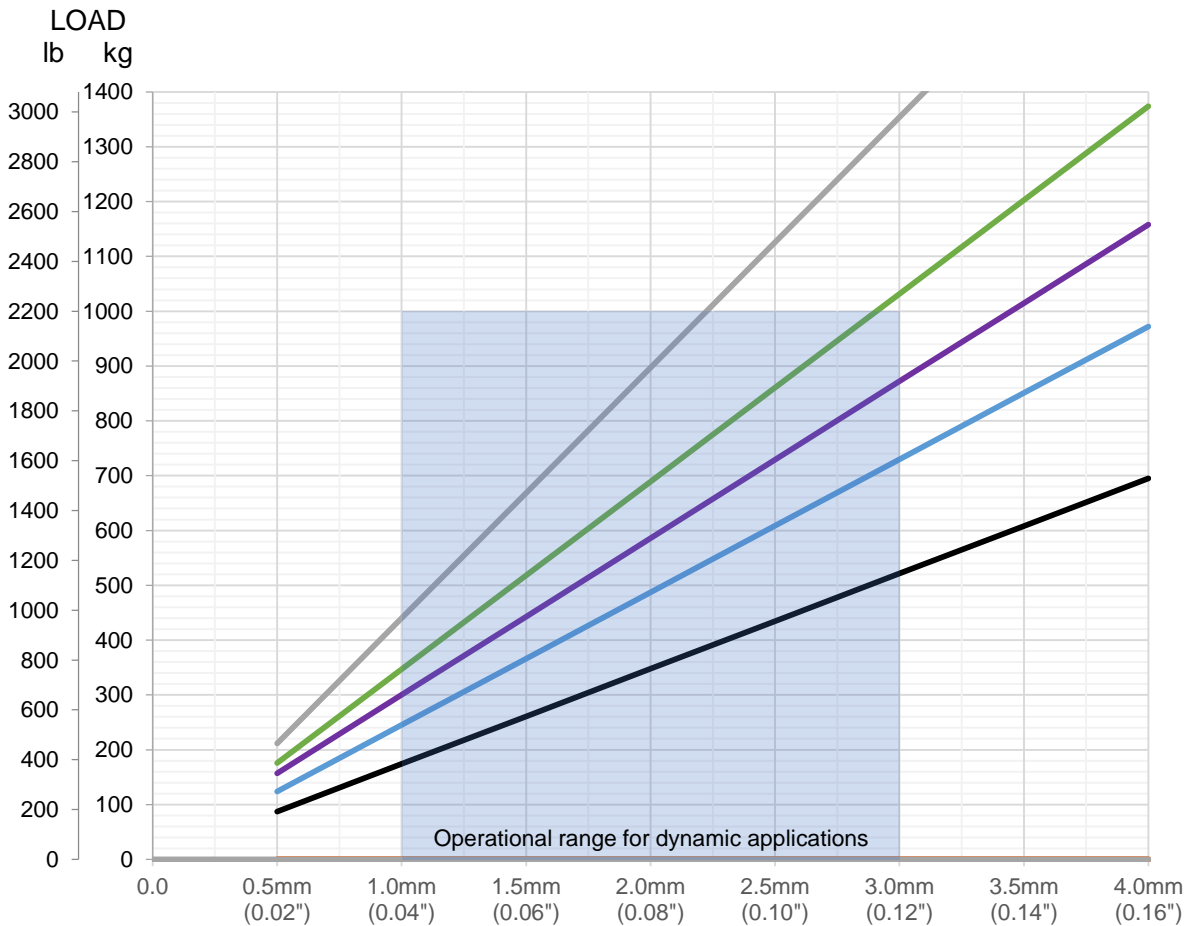
Mount model M127XHD-20B or M127XHD-24B

# ISOFLEX MOUNT DATA SHEET - M127XHD

## Loading Type: Axial - Vertical Down (A-direction)



Resilient Core Colour	Spring Rate at 2mm	
	(kg/cm)	(lb/in)
Black	1735	9715
Light Blue	2425	13580
Dark Blue	2860	16015
Green	3425	19180
Grey	4570	25590

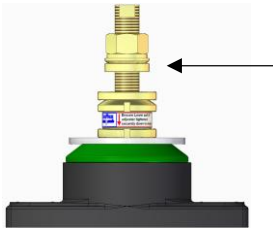


Graph: Static Axial Vertical Load [kg] (lb) versus Deflection [mm] (in)

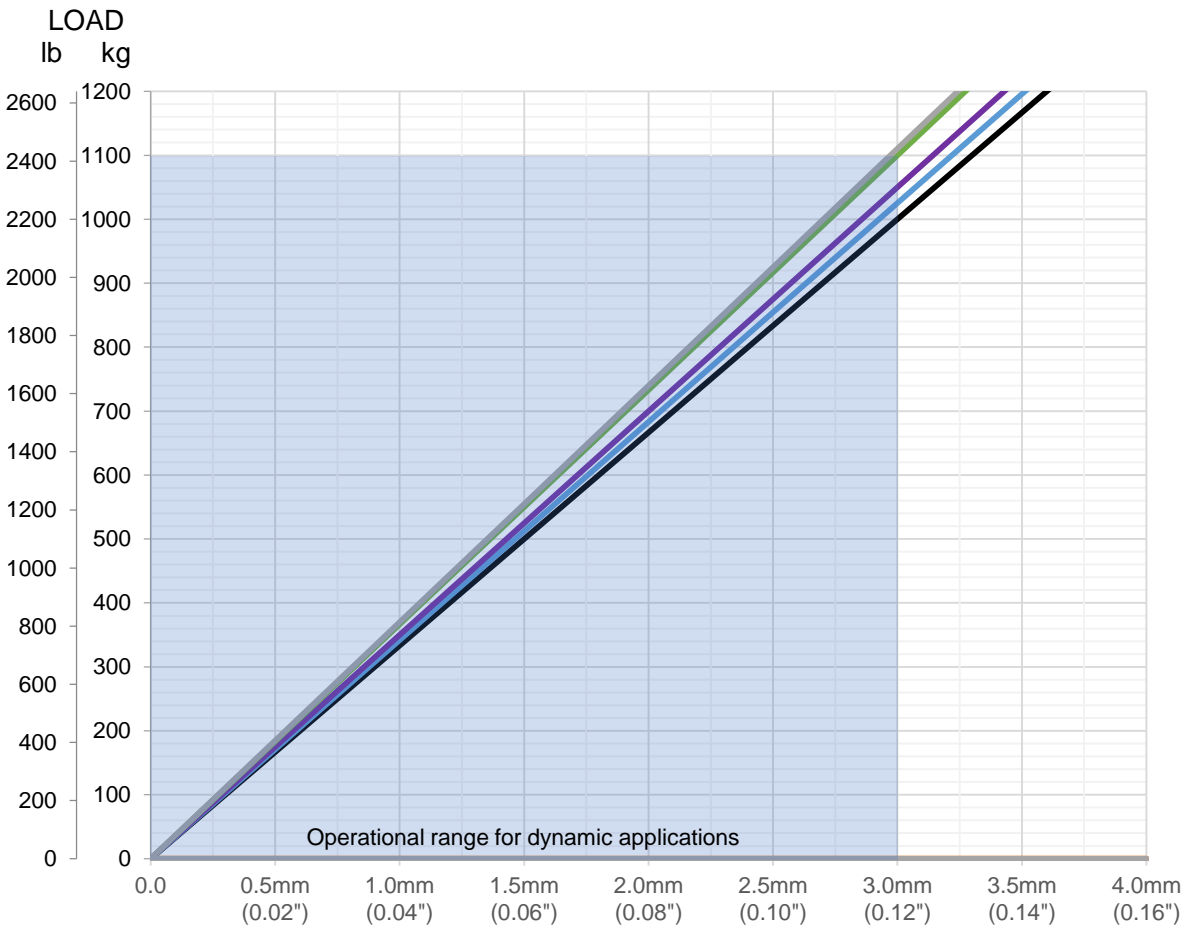
# ISOFLEX MOUNT DATA SHEET - M127XHD

## Loading Type: Longitudinal Thrust (T-direction)

LONGITUDINAL THRUST  
T - DIRECTION



Resilient Core Colour	Spring Rate at 2mm	
	(kg/cm)	(lb/in)
Black	3335	18675
Light Blue	3415	19125
Dark Blue	3500	19600
Green	3665	20525
Grey	3700	20720

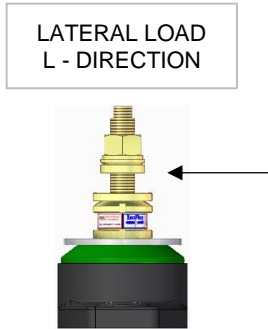


**Graph: Static Longitudinal Load [kg] (lb) versus Deflection [mm] (in)**

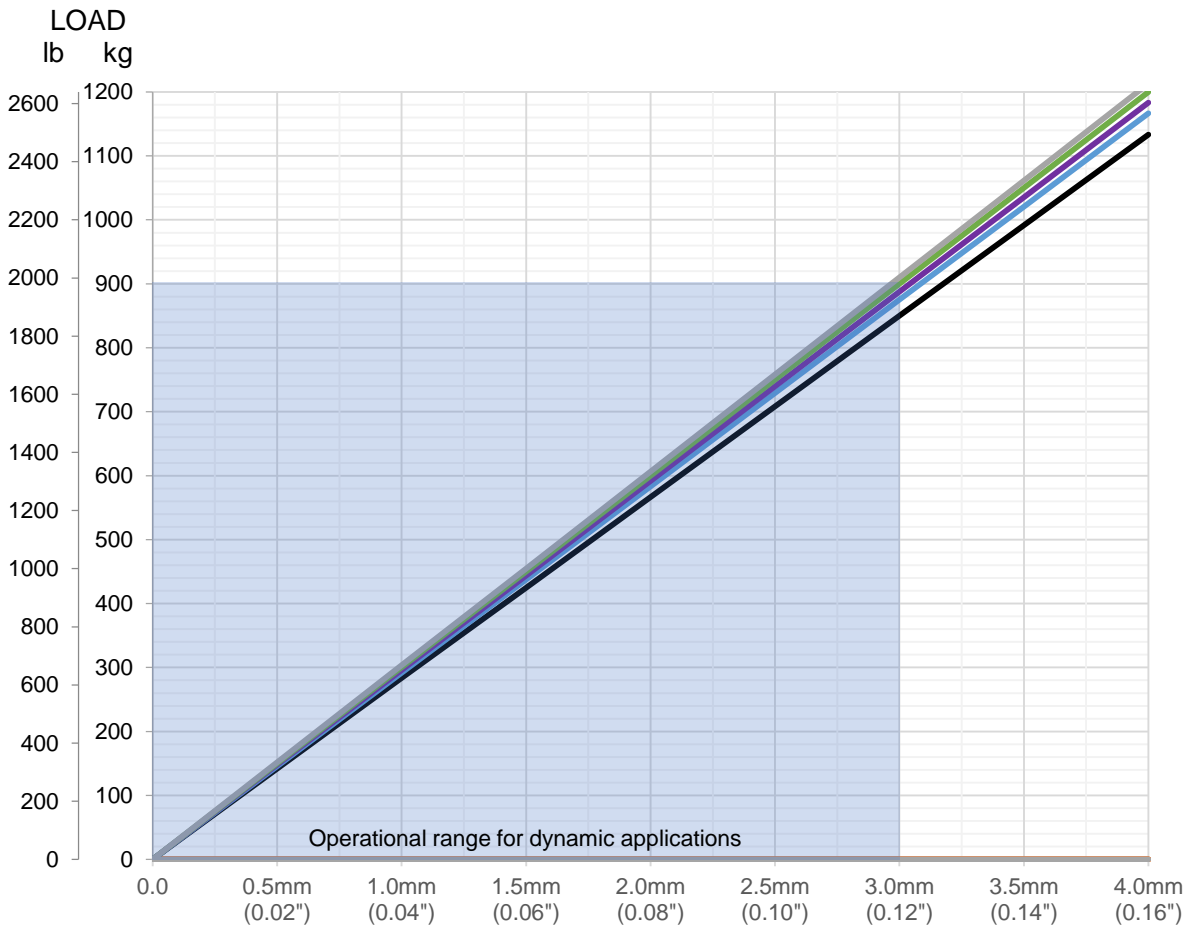
Note: Stated spring rate with 2.5mm axial compression simulation load

# ISOFLEX MOUNT DATA SHEET - M127XHD

## Loading Type: Lateral (L-direction)



Resilient Core Colour	Spring Rate at 2mm	
	(kg/cm)	(lb/in)
Black	2835	15875
Light Blue	2915	16325
Dark Blue	2960	16575
Green	3000	16800
Grey	3035	16995



**Graph: Static Lateral Load [kg] (lb) versus Deflection [mm] (in)**

Note: Stated spring rate with 2.5mm axial compression simulation load