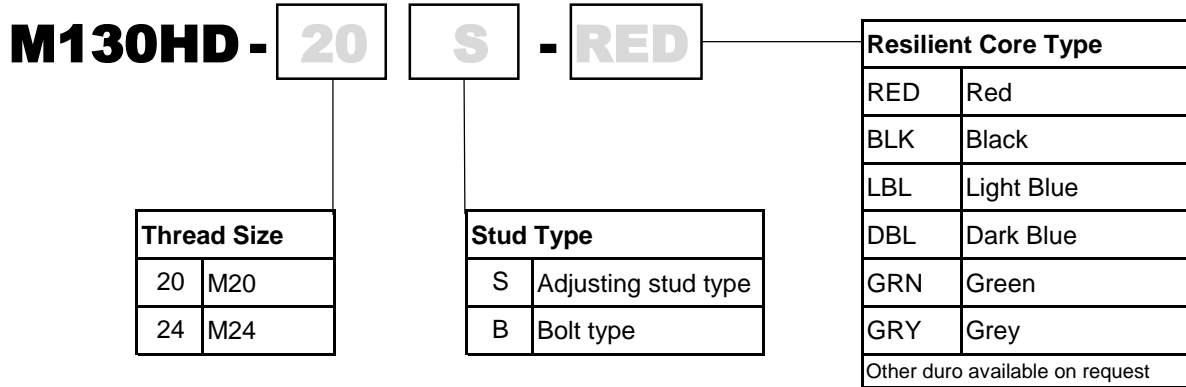
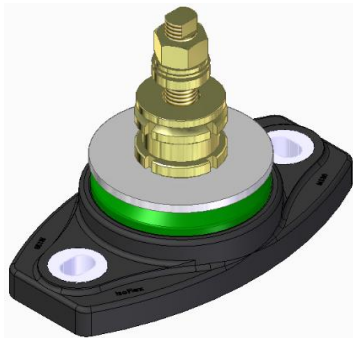


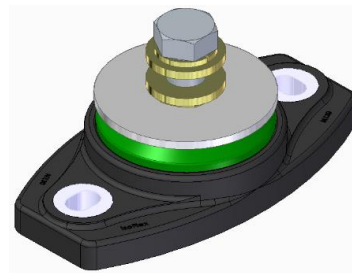
ISOFLEX MOUNT DATA SHEET - M130HD



Base: Black - 75 SDH-D
 Metal components a combination of marine alloy, stainless steel and components zinc plated to ASTM B633 Type II SC3



Mount model M130HD-20S or M130HD-24S



Mount model M130HD-20B or M130HD-24B

WEIGHT:

| Model | Metric (kg) | Imperial (lb) |
|------------|-------------|---------------|
| M130HD-20S | 2.4 | 5.3 |
| M130HD-24S | 2.9 | 6.4 |
| M130HD-20B | 2.2 | 4.8 |
| M130HD-24B | 2.7 | 5.9 |

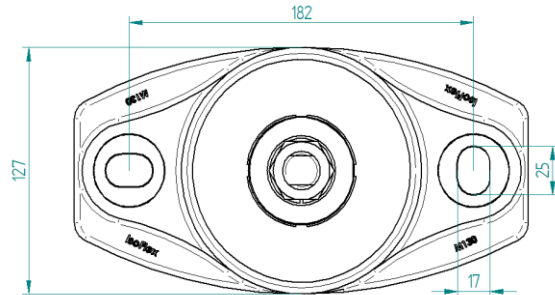
SPECIFICATION:

| | Metric (kg) | Imperial (lb) |
|------------------------------------|-------------|---------------|
| Recommended working load per mount | 250-750 | 550-1650 |

ISOFLEX MOUNT DATA SHEET - M130HD

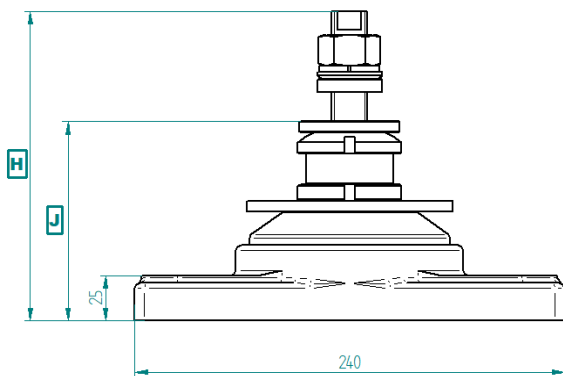
COMMON DIMENSIONS :

| | Metric (mm) | Imperial (in) |
|-------------------|----------------|------------------|
| Base length | 240 | 9.45 |
| Base width | 127 | 5.00 |
| Base bolt centres | 182 | 7.17 |
| Base thickness | 25 | 0.98 |
| Base bolt size | M16 | 5/8 |

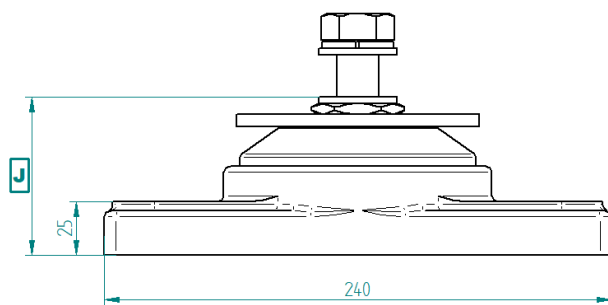


MODEL SPECIFIC DIMENSIONS :

| Model | Overall Height (H) | | Min Free Height (J) | | Height Adjustment (J) | |
|------------|--------------------|------|---------------------|------|-----------------------|------|
| | (mm) | (in) | (mm) | (in) | (mm) | (in) |
| M130HD-20S | 172 | 6.77 | 110 | 4.33 | 10 | 0.39 |
| M130HD-24S | 196 | 7.72 | 110 | 4.33 | 10 | 0.39 |
| M130HD-20B | - | - | 75 | 2.95 | - | - |
| M130HD-24B | - | - | 78 | 3.07 | - | - |



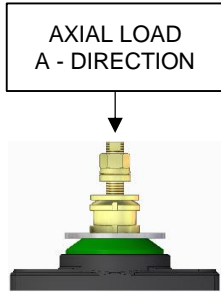
Mount model M130HD-20S or M130HD-24S



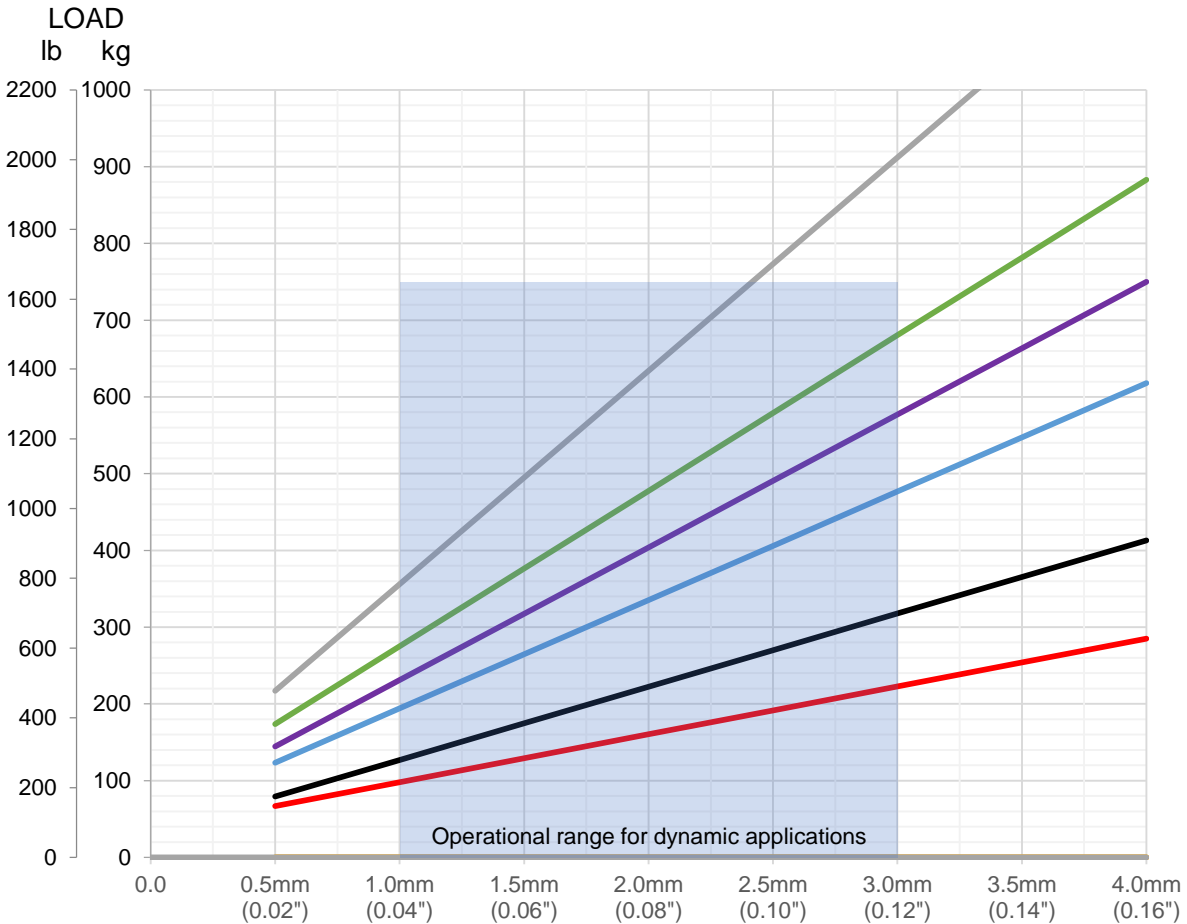
Mount model M130HD-20B or M130HD-24B

ISOFLEX MOUNT DATA SHEET - M130HD

Loading Type: Axial - Vertical Down (A-direction)



| Resilient Core Colour | Spring Rate at 2mm | |
|-----------------------|--------------------|---------|
| | (kg/cm) | (lb/in) |
| Red | 625 | 3500 |
| Black | 955 | 5350 |
| Light Blue | 1415 | 7925 |
| Dark Blue | 1730 | 9690 |
| Green | 2025 | 11340 |
| Grey | 2780 | 15570 |

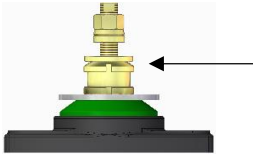


Graph: Static Axial Vertical Load [kg] (lb) versus Deflection [mm] (in)

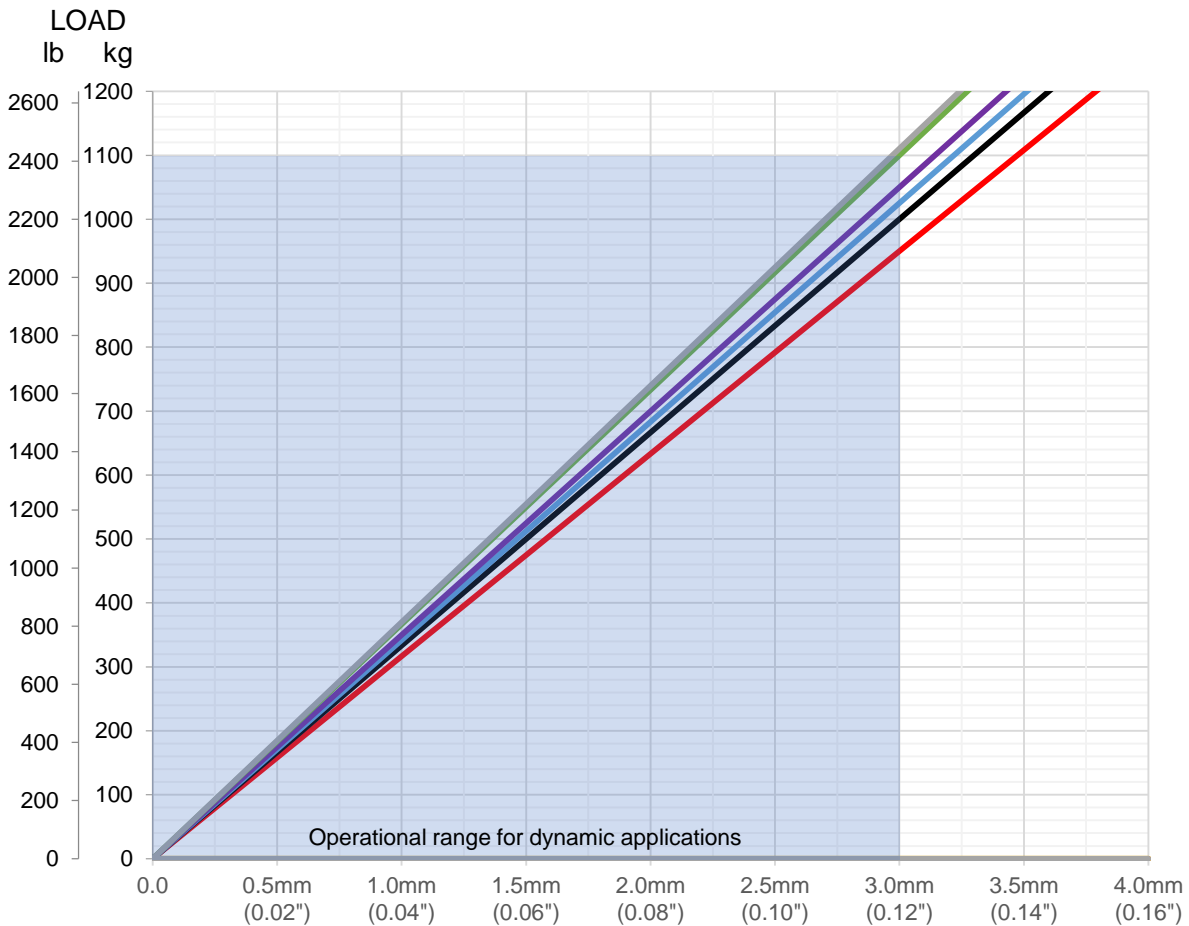
ISOFLEX MOUNT DATA SHEET - M130HD

Loading Type: Longitudinal Thrust (T-direction)

LONGITUDINAL THRUST
T - DIRECTION



| Resilient Core Colour | Spring Rate at 2mm | |
|-----------------------|--------------------|---------|
| | (kg/cm) | (lb/in) |
| Red | 3165 | 17725 |
| Black | 3335 | 18675 |
| Light Blue | 3415 | 19125 |
| Dark Blue | 3500 | 19600 |
| Green | 3665 | 20525 |
| Grey | 3700 | 20720 |

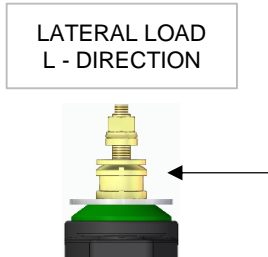


Graph: Static Longitudinal Load [kg] (lb) versus Deflection [mm] (in)

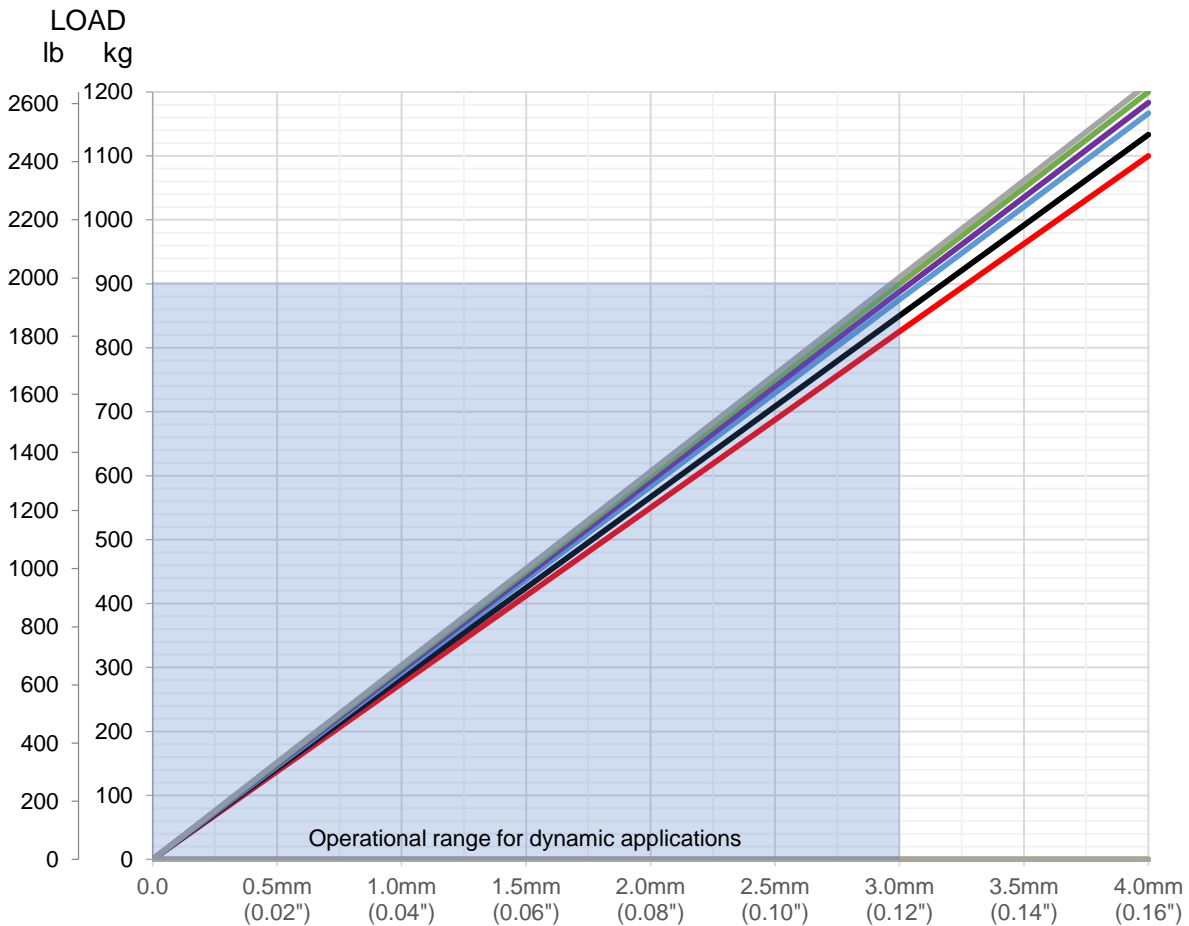
Note: Stated spring rate with 2.5mm axial compression simulation load

ISOFLEX MOUNT DATA SHEET - M130HD

Loading Type: Lateral (L-direction)



| Resilient Core Colour | Spring Rate at 2mm | |
|-----------------------|--------------------|---------|
| | (kg/cm) | (lb/in) |
| Red | 2750 | 15400 |
| Black | 2835 | 15875 |
| Light Blue | 2915 | 16325 |
| Dark Blue | 2960 | 16575 |
| Green | 3000 | 16800 |
| Grey | 3035 | 16995 |



Graph: Static Lateral Load [kg] (lb) versus Deflection [mm] (in)

Note: Stated spring rate with 2.5mm axial compression simulation load