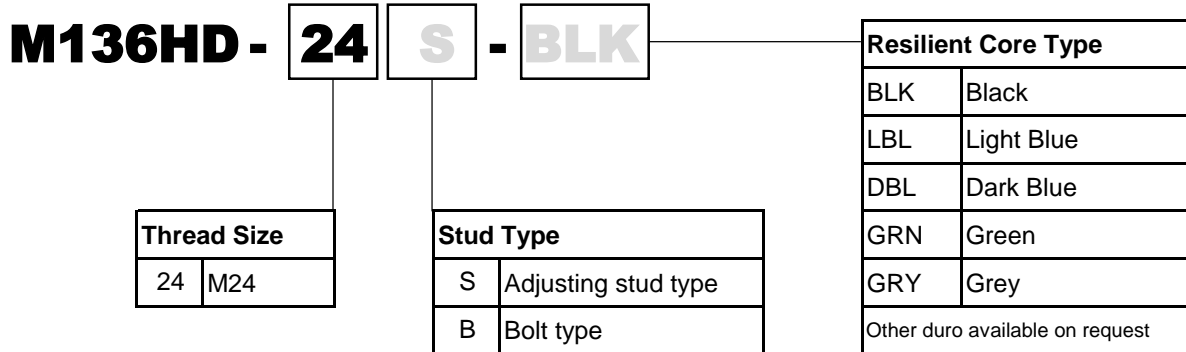
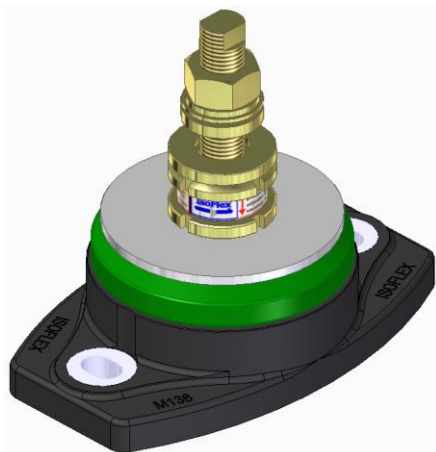


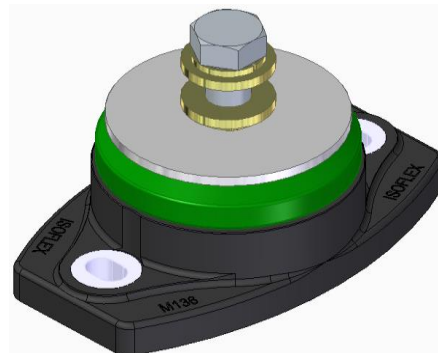
## ISO FLEX MOUNT DATA SHEET - M136HD



**Base:** Black - 75 SDH-D  
 Metal components a combination of marine alloy, stainless steel and components zinc plated to ASTM B633 Type II SC3



Mount model M136HD-24S



Mount model M136HD-24B

### WEIGHT:

Model	Metric (kg)	Imperial (lb)
M136HD-24S	5.2	11.4
M136HD-24B	3.7	8.1

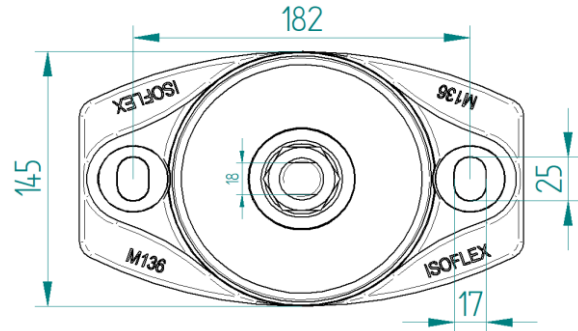
### SPECIFICATION:

	Metric (kg)	Imperial (lb)
Recommended working load per mount	500-1200	1100-2640

## ISOFLEX MOUNT DATA SHEET - M136HD

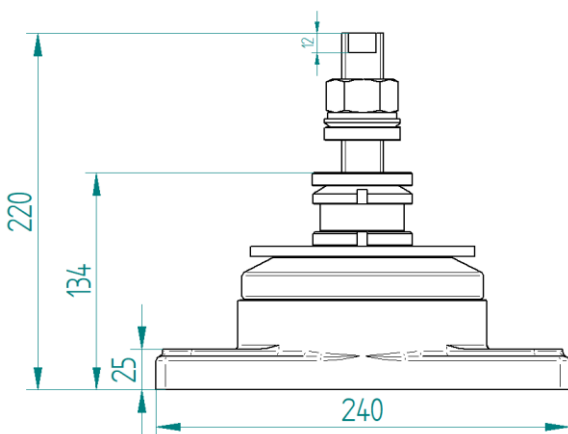
### COMMON DIMENSIONS :

	Metric (mm)	Imperial (in)
Base length	240	9.45
Base width	145	5.71
Base bolt centres	182	7.17
Base thickness	25	0.98
Base bolt size	M16	5/8

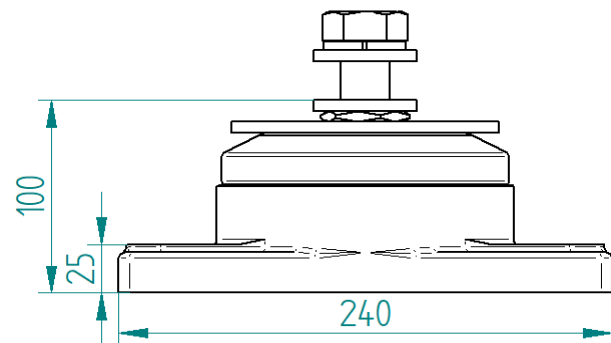


### MODEL SPECIFIC DIMENSIONS :

Model	Overall Height (H)		Min Free Height (J)		Height Adjustment (J)	
	(mm)	(in)	(mm)	(in)	(mm)	(in)
M136HD-24S	220	8.66	134	5.28	10	0.39
M136HD-24B	-	-	100	3.94	-	-



Mount model M136HD-24S



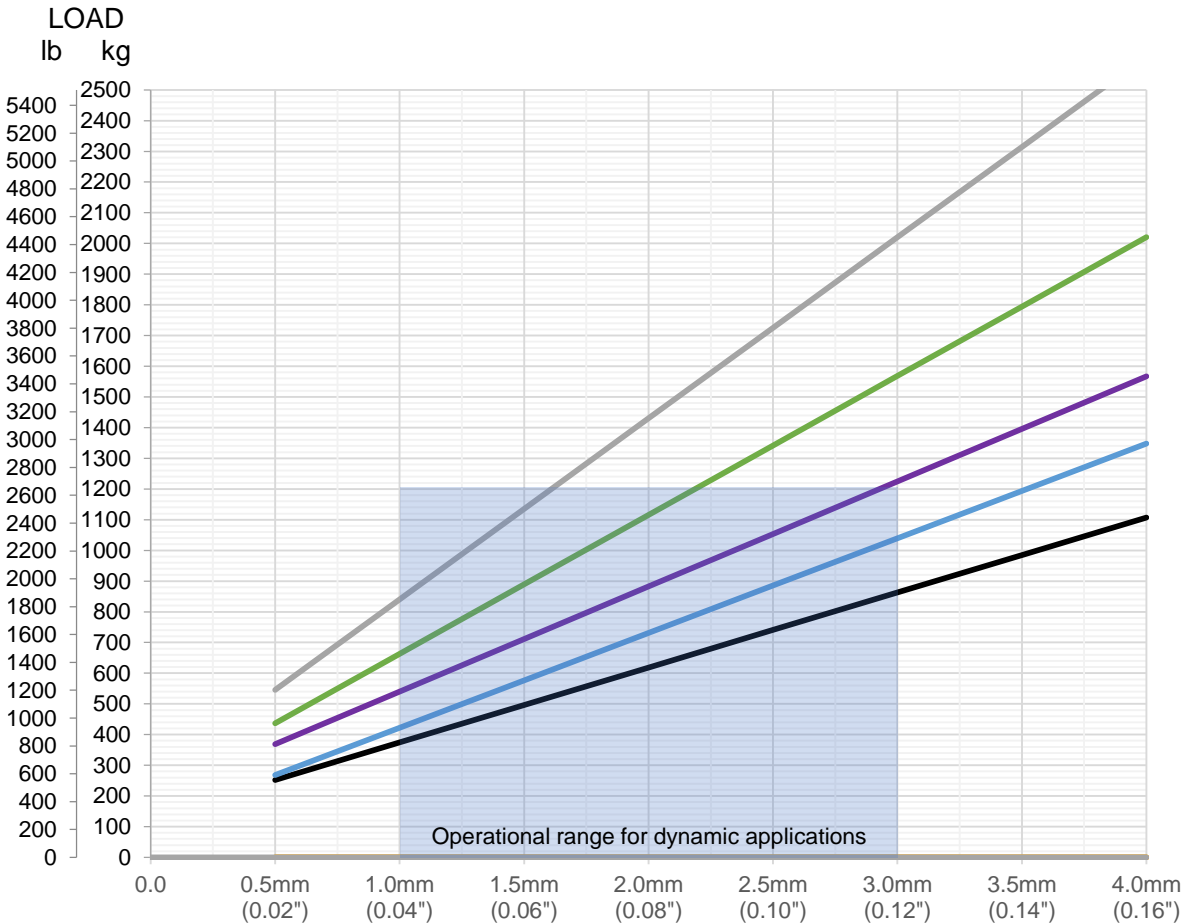
Mount model M136HD-24B

# ISOFLEX MOUNT DATA SHEET - M136HD

## Loading Type: Axial - Vertical Down (A-direction)



Resilient Core Colour	Spring Rate at 2mm	
	(kg/cm)	(lb/in)
Black	2445	13690
Light Blue	3085	17275
Dark Blue	3425	19180
Green	4525	25340
Grey	5895	33010

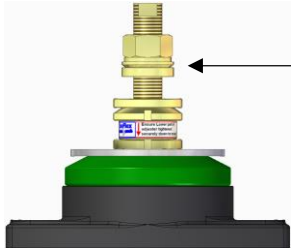


Graph: Static Axial Vertical Load [kg] (lb) versus Deflection [mm] (in)

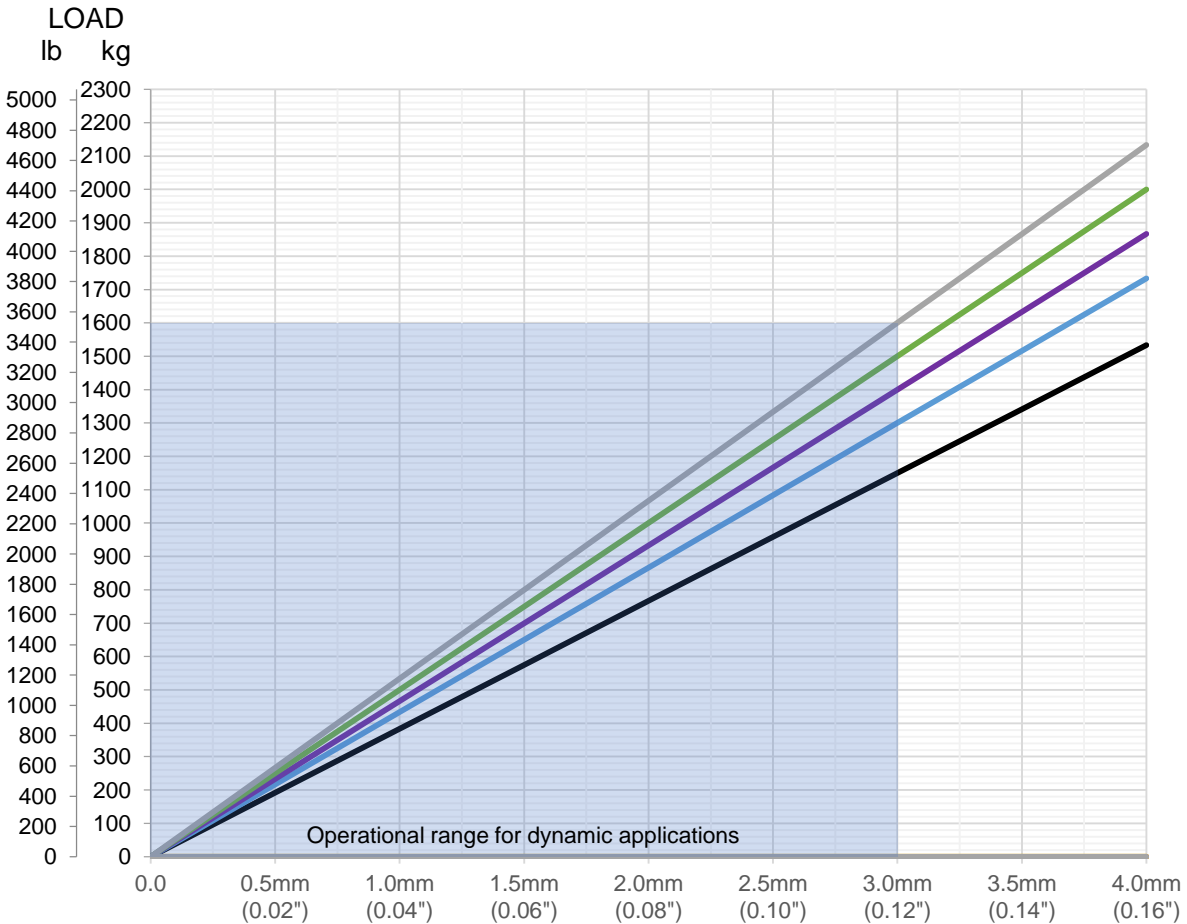
# ISOFLEX MOUNT DATA SHEET - M136HD

## Loading Type: Longitudinal Thrust (T-direction)

LONGITUDINAL THRUST  
T - DIRECTION



Resilient Core Colour	Spring Rate at 2mm	
	(kg/cm)	(lb/in)
Black	3835	21475
Light Blue	4335	24275
Dark Blue	4665	26125
Green	5000	28000
Grey	5335	29875

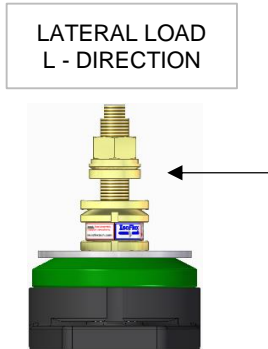


Graph: Static Longitudinal Load [kg] (lb) versus Deflection [mm] (in)

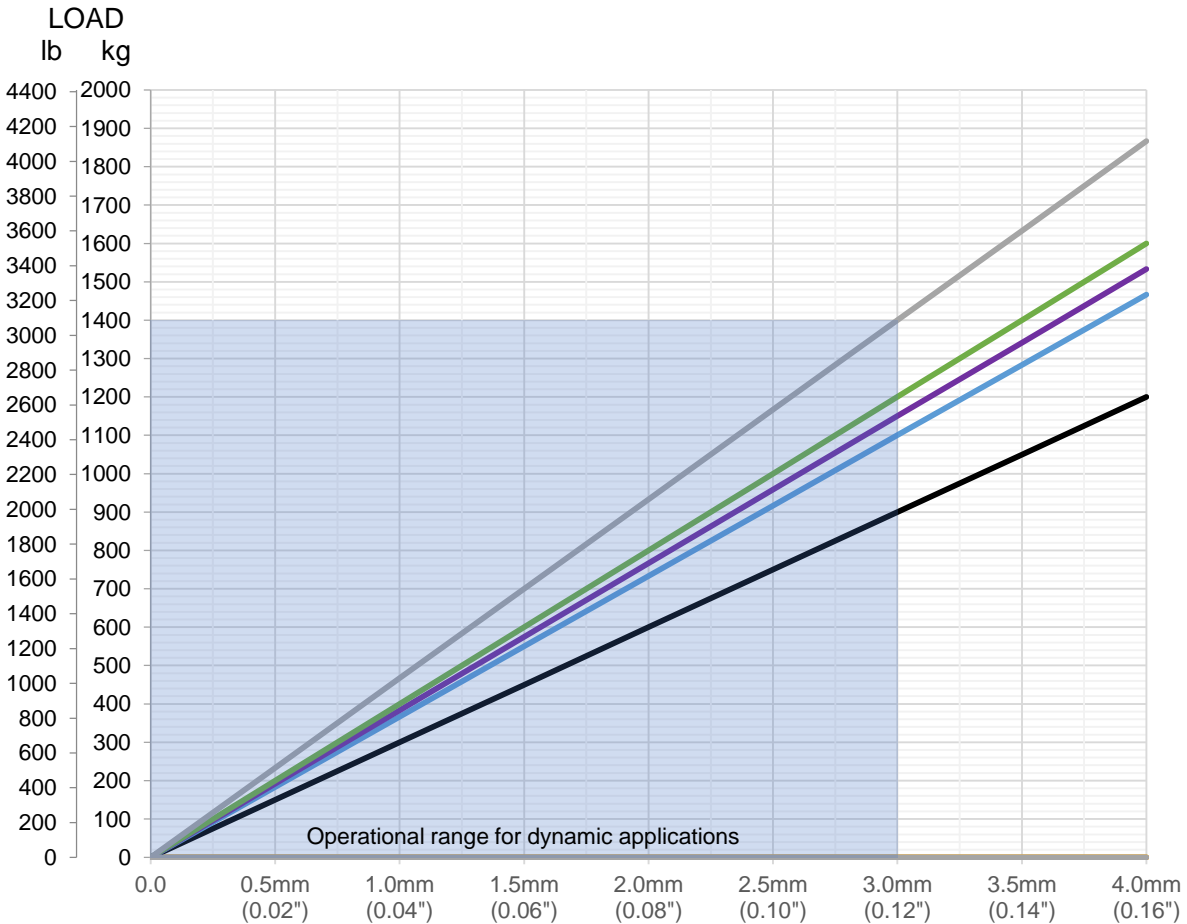
Note: Stated spring rate with 2.5mm axial compression simulation load

# ISOFLEX MOUNT DATA SHEET - M136HD

## Loading Type: Lateral (L-direction)



Resilient Core Colour	Spring Rate at 2mm	
	(kg/cm)	(lb/in)
Black	3000	16800
Light Blue	3665	20525
Dark Blue	3835	21475
Green	4000	22400
Grey	4665	26125



**Graph: Static Lateral Load [kg] (lb) versus Deflection [mm] (in)**

Note: Stated spring rate with 2.5mm axial compression simulation load