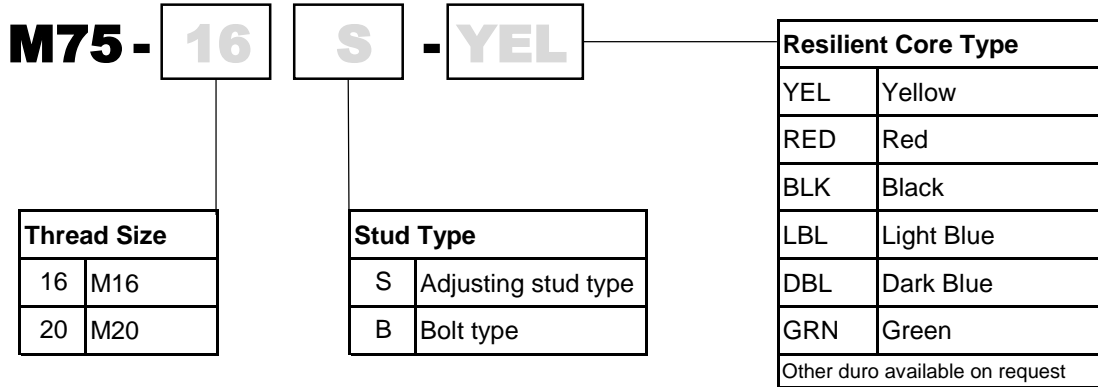


## ISOFLEX MOUNT DATA SHEET - M75

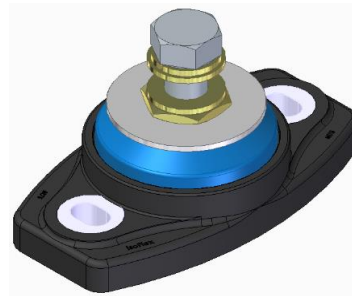


**Base:** Black - 75 SDH-D

Metal components a combination of marine alloy, stainless steel and components zinc plated to ASTM B633 Type II SC3



Mount model M75-16S or M75-20S



Mount model M75-16B or M75-20B

### WEIGHT:

Model	Metric (kg)	Imperial (lb)
M75-16S	1.2	2.6
M75-20S	1.3	2.9
M75-16B	1.1	2.4
M75-20B	1.5	3.3

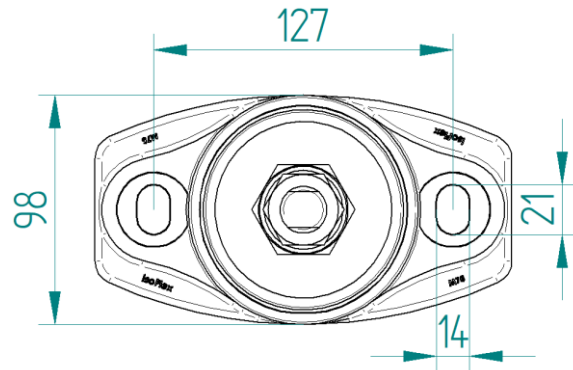
### SPECIFICATION:

	Metric (kg)	Imperial (lb)
Recommended working load per mount	75-300	165-660

# ISOFLEX MOUNT DATA SHEET - M75

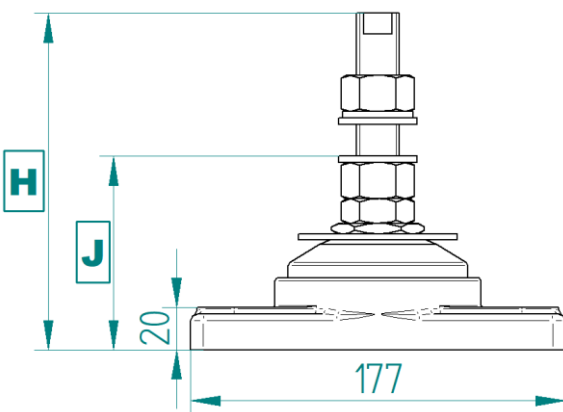
## COMMON DIMENSIONS :

	Metric (mm)	Imperial (in)
Base length	177	6.97
Base width	98	3.86
Base bolt centres	127	5.00
Base thickness	20	0.79
Base bolt size	M12	1/2

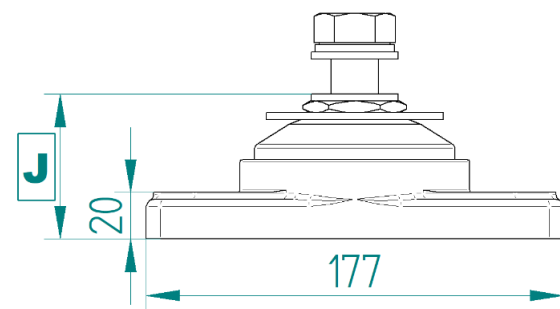


## MODEL SPECIFIC DIMENSIONS :

Model	Overall Height (H)		Min Free Height (J)		Height Adjustment (J)	
	(mm)	(in)	(mm)	(in)	(mm)	(in)
M75-16S	140	5.51	86	3.39	10	0.39
M75-20S	160	6.30	92	3.62	10	0.39
M75-16B	-	-	62	2.44	-	-
M75-20B	-	-	62	2.44	-	-



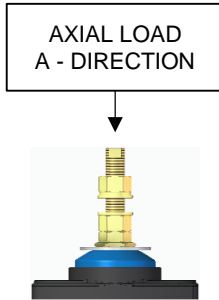
Mount model M75-16S or M75-20S



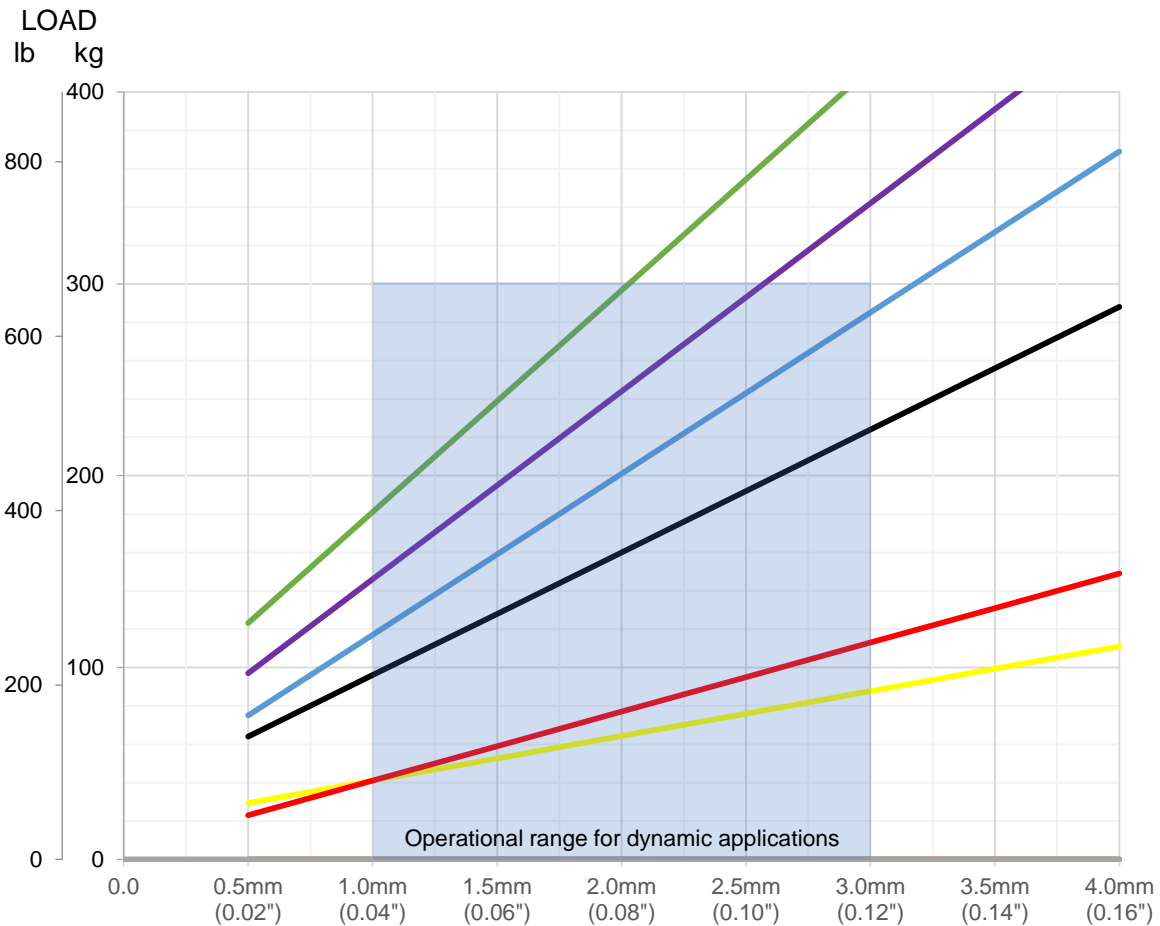
Mount model M75-16B or M75-20B

# ISOFLEX MOUNT DATA SHEET - M75

## Loading Type: Axial - Vertical Down (A-direction)



Resilient Core Colour	Spring Rate at 2mm	
	(kg/cm)	(lb/in)
Yellow	235	1315
Red	360	2015
Black	640	3585
Light Blue	840	4705
Dark Blue	980	5490
Green	1155	6470

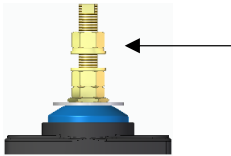


Graph: Static Axial Vertical Load [kg] (lb) versus Deflection [mm] (in)

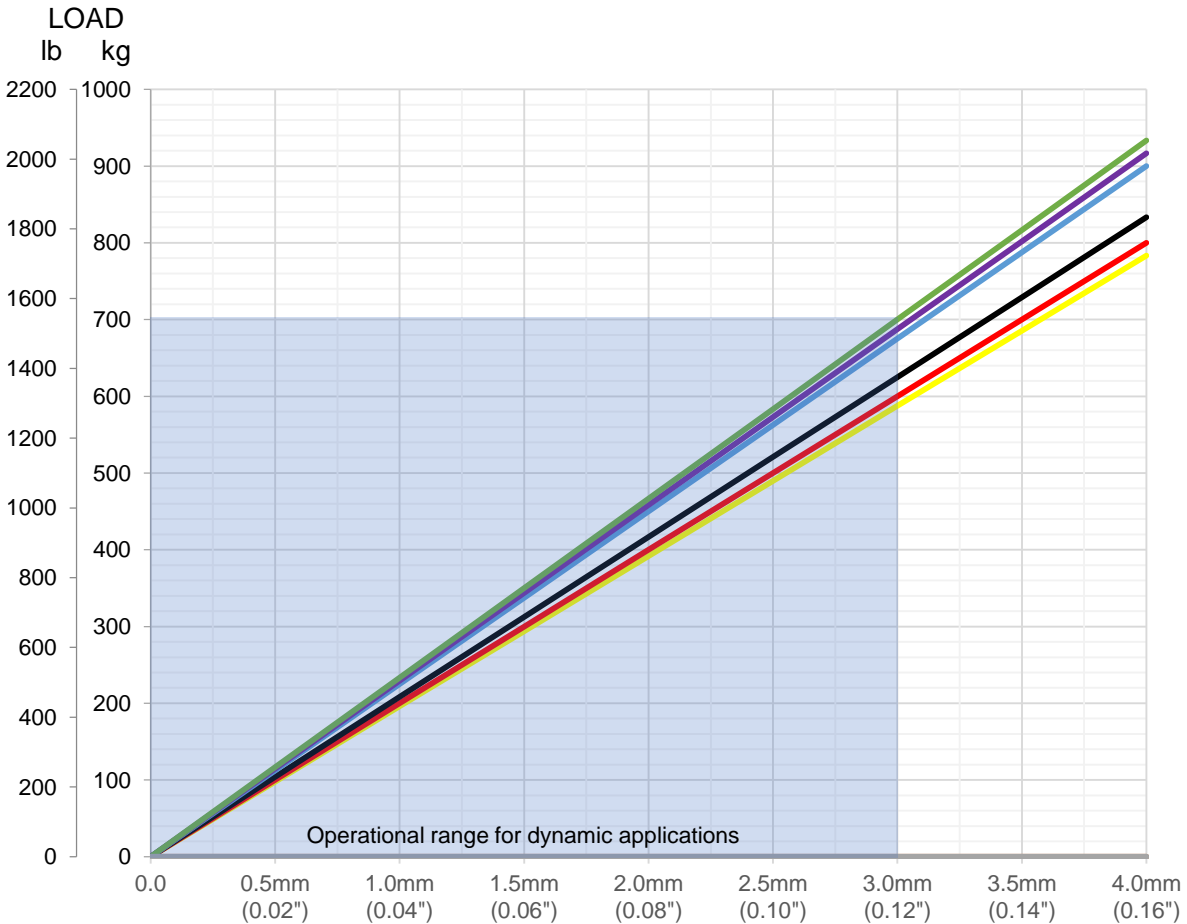
# ISOFLEX MOUNT DATA SHEET - M75

## Loading Type: Longitudinal Thrust (T-direction)

LONGITUDINAL THRUST  
T - DIRECTION



Resilient Core Colour	Spring Rate at 2mm	
	(kg/cm)	(lb/in)
Yellow	1960	10975
Red	2000	11200
Black	2085	11675
Light Blue	2250	12600
Dark Blue	2290	12825
Green	2335	13075



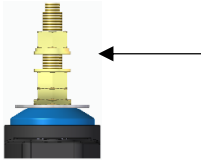
Graph: Static Longitudinal Load [kg] (lb) versus Deflection [mm] (in)

Note: Stated spring rate with 2.5mm axial compression simulation load

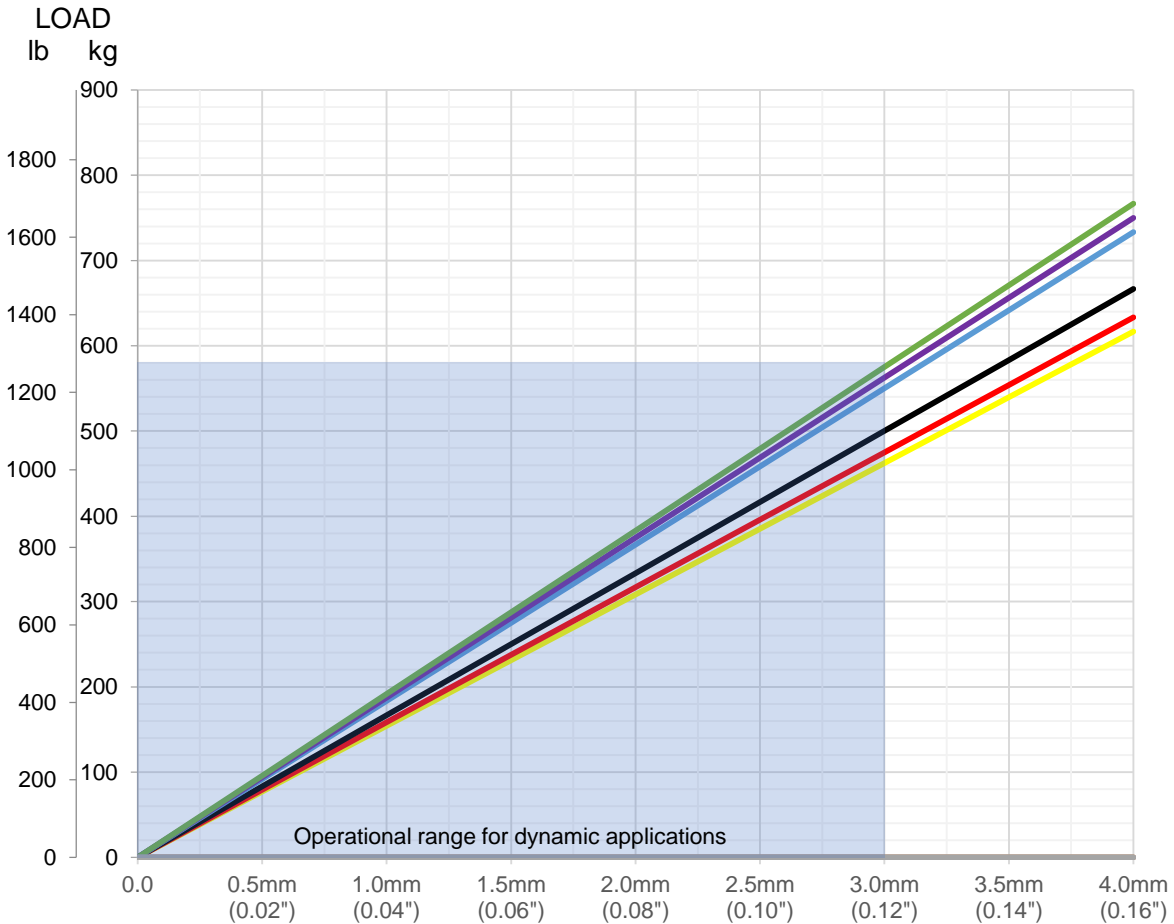
# ISOFLEX MOUNT DATA SHEET - M75

## Loading Type: Lateral (L-direction)

LATERAL LOAD  
L - DIRECTION



Resilient Core Colour	Spring Rate at 2mm	
	(kg/cm)	(lb/in)
Yellow	1540	8625
Red	1585	8875
Black	1665	9325
Light Blue	1835	10275
Dark Blue	1875	10500
Green	1915	10725



Graph: Static Lateral Load [kg] (lb) versus Deflection [mm] (in)

Note: Stated spring rate with 2.5mm axial compression simulation load